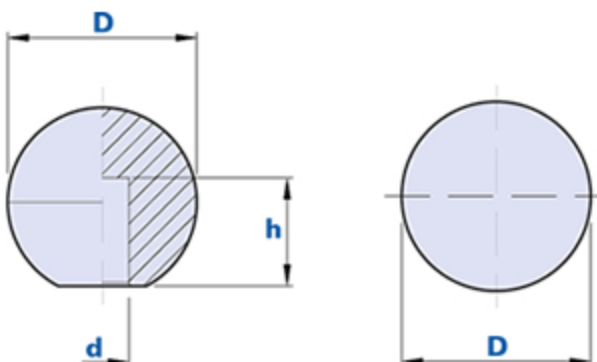


Ball knob with blind smooth hole



| Code | Description | Dimensions | | Hole | | Weight grams | Stock |
|----------|---------------|------------|----|------|--|--------------|-------|
| | | D | d | h | | | |
| 01SSL30D | SSL D.30 d.8 | 30 | 8 | 15 | | 17 | - |
| 01SSL35E | SSL D.35 d.10 | 35 | 10 | 20 | | 28 | - |
| 01SSL40E | SSL D.40 d.10 | 40 | 10 | 20 | | 43 | - |
| 01SSL40F | SSL D.40 d.12 | 40 | 12 | 22 | | 41 | - |
| 01SSL40N | SSL D.40 d.14 | 40 | 14 | 24 | | 38 | - |
| 01SSL45F | SSL D.45 d.12 | 45 | 12 | 22 | | 64 | - |
| 01SSL45N | SSL D.45 d.14 | 45 | 14 | 24 | | 60 | - |
| 01SSL45P | SSL D.45 d.16 | 45 | 16 | 27 | | 58 | - |

Material

Polyamide-based (PA) technopolymer.

Resistant to organic and inorganic chemical substances such as oils, greases, fuels and solvents.

Colour

Black with shiny finish.

Other colours for suitable quantities.

Assembly

Press-fit. Hole directly obtained from the plastic material.

Package

SSL 30/35: 50 - 100 - 200 pcs.

SSL 40/45: 25 - 50 - 100 pcs.