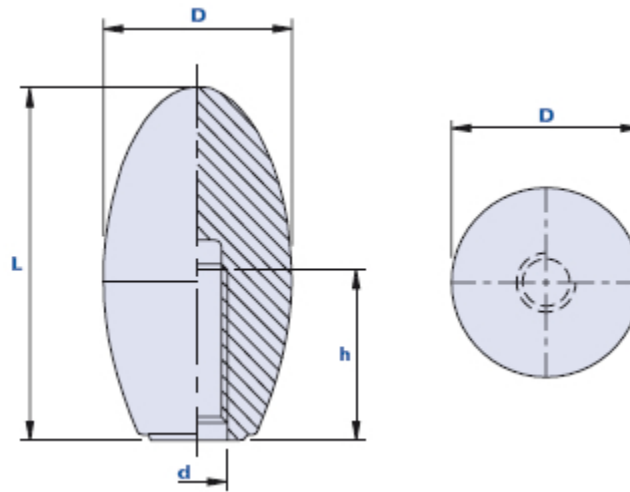


## Oval knob with blind threaded hole



| Code   | Description | Dimensions |    | Hole |    | Weight grams | Stock |
|--------|-------------|------------|----|------|----|--------------|-------|
|        |             | L          | D  | d    | h  |              |       |
| 01PO1C | PO1/53 M6   | 53         | 28 | M6   | 22 | 32           | √     |
| 01PO1D | PO1/53 M8   | 53         | 28 | M8   | 22 | 32           | √     |
| 01PO1E | PO1/53 M10  | 53         | 28 | M10  | 22 | 32           | √     |
| 01PO2D | PO2/60 M8   | 60         | 32 | M8   | 30 | 40           | √     |
| 01PO2E | PO2/60 M10  | 60         | 32 | M10  | 30 | 40           | √     |
| 01PO2F | PO2/60 M12  | 60         | 32 | M12  | 30 | 40           | √     |
| 01PO3E | PO3/70 M10  | 70         | 36 | M10  | 30 | 60           | √     |
| 01PO3F | PO3/70 M12  | 70         | 36 | M12  | 30 | 60           | √     |

### Material

High resistance phenolyc-based (PF) duroplast.

Resistant to organic and inorganic chemical substances such as oils, greases, fuels and solvents.

### Colour

Black with shiny finish.

### Threading

Directly obtained from the plastic material.

### Package

25 - 50 - 100 pcs.