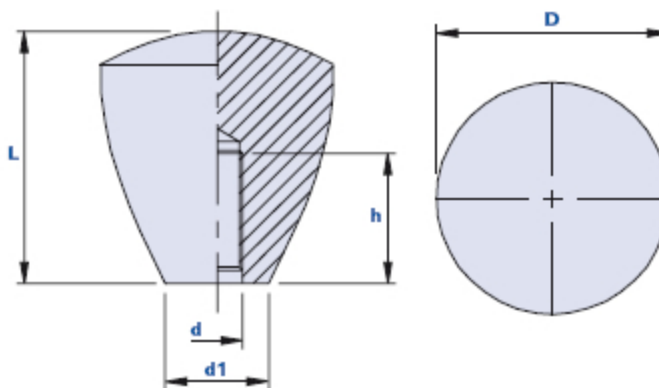


Conical knob with blind threaded hole



Code	Description	Dimensions			Hole		Weight grams	Stock
		D	L	d1	d	h		
01PM1C	PM1/28 M6	28	29	14	M6	20	16	√
01PM1D	PM1/28 M8	28	29	14	M8	20	15	√
01PM1E	PM1/28 M10	28	29	14	M10	20	34	√
01PM1F	PM1/28 M12	28	29	14	M12	20	34	√
01PM2D	PM2/36 M8	36	39	16	M8	20	34	√
01PM2E	PM2/36 M10	36	39	16	M10	20	24	√

Material

High resistance phenolyc-based (PF) duroplast.

Resistant to organic and inorganic chemical substances such as oils, greases, fuels and solvents.

Colour

Black with shiny finish.

Threading

Directly obtained from the plastic material.

Package

25 - 50 - 100 pcs.