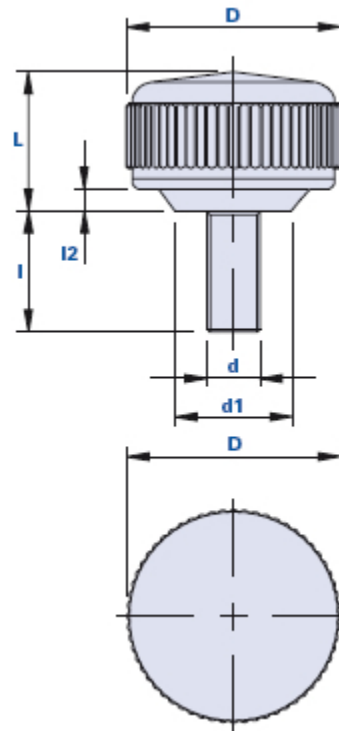


Knurled grip knob with threaded pin



Code	Description	Dimensions				Insert		Weight grams	Stock
		D	L	d1	l2	d	l		
01PLFB17	PLF/20 M5x17	20	13	11	2	M5	17	8	√
01PLFB25	PLF/20 M5x25	20	13	11	2	M5	25	11	√

Material

High resistance phenolyc-based (PF) duroplast.

Resistant to organic and inorganic chemical substances such as oils, greases, fuels and solvents.

Colour

Black with shiny finish.

Insert

Galvanized steel.

Remarks

Article available while stocks last.

Package

25 - 50 - 100 pcs.