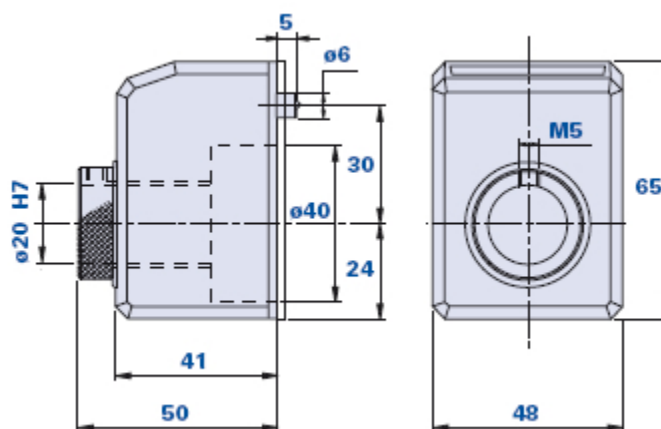


MD50AR



Digital position indicator MD 50-AR



Description	Black colour code	Stock	Orange colour code	Stock	Grey colour code	Stock	Weight grams
MD 50 AR 0,5 SX	01MD50068	-	01MD50070	-	01MD50072	-	94
MD 50 AR 0,5 DX	01MD50067	-	01MD50069	-	01MD50071	-	94
MD 50 AR 1,0 SX	01MD50074	-	01MD50076	-	01MD50078	-	94
MD 50 AR 1,0 DX	01MD50073	-	01MD50075	-	01MD50077	-	94
MD 50 AR 1,5 SX	01MD50080	-	01MD50082	-	01MD50084	-	94
MD 50 AR 1,5 DX	01MD50079	-	01MD50081	-	01MD50083	-	94
MD 50 AR 2,0 SX	01MD50086	-	01MD50088	-	01MD50090	-	94
MD 50 AR 2,0 DX	01MD50085	-	01MD50087	-	01MD50089	-	94
MD 50 AR 2,5 SX	01MD50092	-	01MD50094	-	01MD50096	-	94
MD 50 AR 2,5 DX	01MD50091	-	01MD50093	-	01MD50095	-	94
MD 50 AR 3,0 SX	01MD50098	-	01MD50100	-	01MD50102	-	94
MD 50 AR 3,0 DX	01MD50097	-	01MD50099	-	01MD50101	-	94
MD 50 AR 4,0 SX	01MD50104	-	01MD50106	-	01MD50108	-	94
MD 50 AR 4,0 DX	01MD50103	-	01MD50105	-	01MD50107	-	94
MD 50 AR 5,0 SX	01MD50110	-	01MD50112	-	01MD50114	-	94
MD 50 AR 5,0 DX	01MD50109	-	01MD50111	-	01MD50113	-	94
MD 50 AR 6,0 SX	01MD50273	-	01MD50274	-	01MD50277	-	94
MD 50 AR 6,0 DX	01MD50271	-	01MD50275	-	01MD50276	-	94
MD 50 AR 10,0 SX	01MD50128	-	01MD50130	-	01MD50132	-	94
MD 50 AR 10,0 DX	01MD50127	-	01MD50129	-	01MD50131	-	94

Housing

Technopolymer resistant to mineral oils, greases, saturated hydrocarbons (benzines), alkaline solutions, diluted acids, saline solutions.



Thenar Srl - Via della Costituzione, 66 - 42015 Correggio (RE) Italy

Tel. +39 0522 740511 - Fax +39 0522 740555 - info@thenar.it - www.thenar.it

THENAR models are reserved property under the law - Non-reproducible drawings unless the source is cited.

Reading

Five figure counter (4 unities in black colour and 1 decimal in red colour, with the exception of the pitch 0,5 that shows 3 unities in black colour and 2 decimals in red colour). The lenticular window improves the readability, numbers 6 mm high.

Available colours

- Black RAL 9011 with shiny finish.
- Orange RAL 2004 with shiny finish.
- Grey RAL 7035 with shiny finish.

Assembly

With pressure screw, head with hexagonal hollow, flat end.

Bush

Burnished steel with standard hole \varnothing 14 H7. Special inserts in stainless steel AISI 303, on request for suitable quantities.

Positioning

By means of the back reference pin.

Gasket

Closed-cells black polyurethane with adhesive.