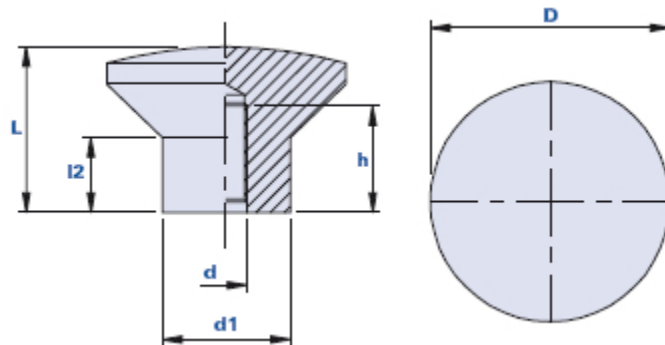


Fixed knob with blind threaded hole



Code	Description	Dimensions				Hole		Weight grams	Stock
		D	L	d1	l2	d	h		
01IC1C	IC1/44 M6	44	31	24	14	M6	20	36	√
01IC1D	IC1/44 M8	44	31	24	14	M8	20	33	√
01IC1E	IC1/44 M10	44	31	24	14	M10	20	31	√
01IC1F	IC1/44 M12	44	31	24	14	M12	20	32	√

Material

High resistance phenolyc-based (PF) duroplast.

Resistant to organic and inorganic chemical substances such as oils, greases, fuels and solvents.

Colour

Black with shiny finish.

Threading

Directly obtained from the plastic material.

Package

25 - 50 - 100 pcs.