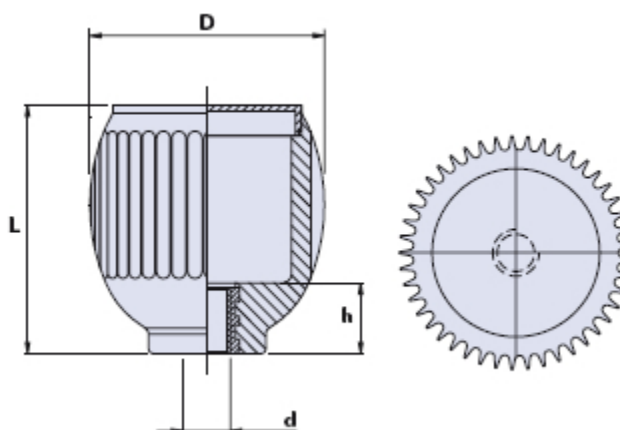


Knurled grip knob with pass-through threaded bush



How to order:

Example: knob code 01BSB50C with yellow cap = code 01BSB50C-**G**

Black cap:	Yellow cap:	Red cap:	Green cap:	Blue cap:
Cod. + N	Cod. + G	Cod. + R	Cod. + V	Cod. + B

Code	Description	Dimensions		Insert		Weight grams	Stock
		D	L	d	h		
01BSF50D	BSF 50 M8	50	53	M8	14	46	√
01BSF50E	BSF 50 M10	50	53	M10	14	48	-
01BSF50F	BSF 50 M12	50	53	M12	14	50	-

Material

Polyamide-based (PA) technopolymer. Resistant to organic and inorganic chemical substances such as oils, greases, fuels and solvents.

Colour

Black with satin finish.
Other colours for suitable quantities.

Insert

Brass. Special inserts on design and/or in nickel-plated brass/stainless steel on request, for suitable quantities.

Cap on request

Bush-cover cap black RAL 7021, yellow RAL1021, red RAL 3020, green RAL 6018, blue RAL 5015. Satin finish. Press-fit assembly. On request, customization with other colours, logo and/or graphics, for suitable quantities.

Package

25 - 50 - 100 pcs.