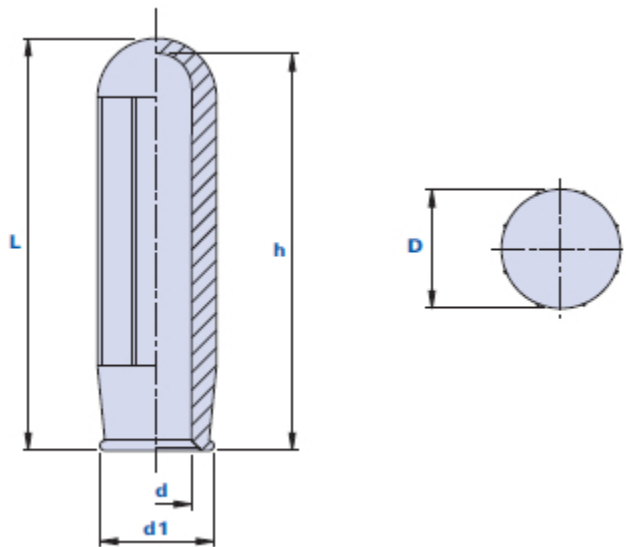


## Grip handle in PVC



Code	Description	Dimensions			Hole		Weight grams	Stock
		L	D	d1	d	h		
111300009000	1113 D.9	84	24	24	9	80	36,8	-
111300010000	1113 D.10	84	24	24	10	80	36,8	√
111300012000	1113 D.12	84	24	24	12	80	32,7	√
111300013000	1113 D.13	84	24	24	13	80	33	√
111300013500	1113 D.13,5	84	24	24	13,5	80	32	√
111300014000	1113 D.14	84	24	24	14	80	29,6	√
111300015000	1113 D.15	84	24	24	15	80	28	√
111300016000	1113 D.16	84	24	24	16	80	26	√
111300017000	1113 D.17	84	24	24	17	80	25	-
111300018000	1113 D.18	84	24	24	18	80	24	√
111300020000	1113 D.20	84	24	24	20	80	19,2	√

### Material

Polyvinylchloride-based (PVC) technopolymer. Resistant to organic and inorganic chemical substances such as oils, greases, fuels and solvents.

### Colour

Black with satin finish. Other colours for suitable quantities.

### Assembly

Press-fit.

### Package

250 pcs.