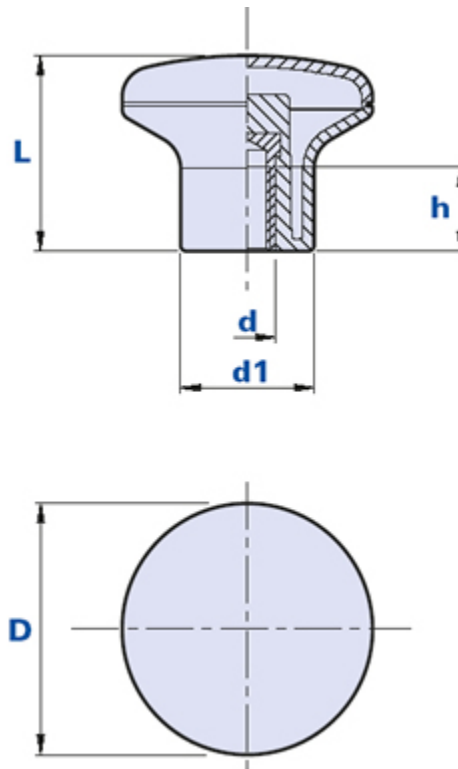


# 1030NFB



## Handle with blind threaded bush



Code	Description	Dimensions			Insert		Weight grams	Stock
		L	D	d1	d	h		
1030NB450800	1030NFB D.45 M8	35	45	24	M8	15	39	-
1030NB451000	1030NFB D.45 M10	35	45	24	M10	15	38	-

### Material

Polyamide-based (PA) technopolymer. Resistant to organic and inorganic chemical substances such as oils, greases, fuels and solvents.

### Colour

Black. Other colours for suitable quantities.

### Insert

Brass. Special inserts on design and/or in nickel-plated brass/stainless steel on request, for suitable quantities.

### Package

25 - 50 - 100 pcs.